

Note:

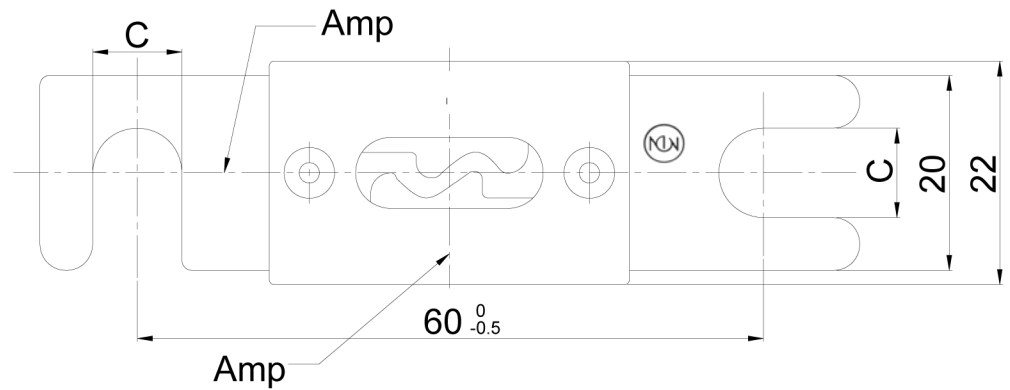
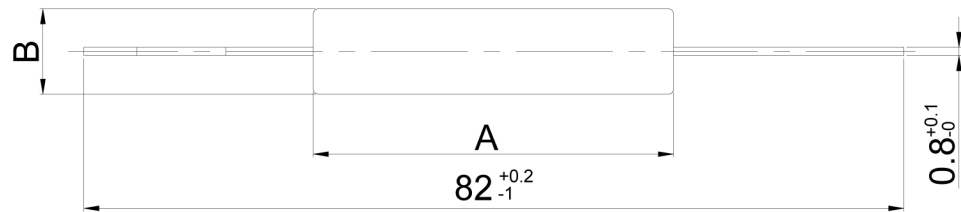
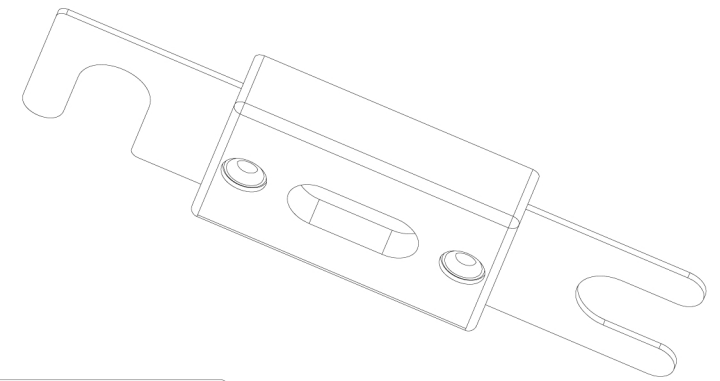
1. Amp Rating: From 25 ~ 500 Amp
2. Time-current characteristics (See Table 1)
3. Meets DIN 43560/1
4. Unless otherwise specified dimensions are in mm tolerance
 Decimals angular
 $X \pm 0.4$ $\pm 2^\circ$
 $XX \pm 0.2$
5. Dimensions (See Table 2)
6. When using ceramic, withstand voltage 80 V DC
7. Do not scale drawing

Table 1—Time-Current Characteristics

Tset Current	Opening Time		
	Min.		Max.
	$\leq 200A$	$\geq 225A$	---
150%	1 hr.	---	---
160%	---	60s	---
220%	---	---	60s
250%	0.8s		10s
400%	0.2s		2s

Table 2— Dimensions

	A	B	C
35A~200A	32.6 ± 0.3	10 ± 0.3	8.5 ± 0.2
225A~425A	32 ± 0.3	10.5 ± 0.3	11 ± 0.2



1. Materials : a、Copper Alloy
 b、(35A~200A) Bakelite
 c、(225A~500A) Ceramic
2. VOLTAGE RATING : 32 V DC/80 V DC
3. This product meets the ROHS standard
4. ISO/TS 16949 certificate