



- Indent crimp tool for cable lugs, splices and uninsulated DIN terminals.
- Stepless setting of crimping die depending on cable area and series of lug.
- Standard scale for:

KR/KS	6.0 mm ²
KRF/KSF	10-70 mm ²
KRT/KST	10-95 mm ²
KRD/KSD	16-95 mm ²
KRDIN/KSDIN	10-95 mm ²
DIN 46234	6.0-70 mm ²

- One crimp/lug.
- Built-in ratchet and release button.
- Crimp is complete when ratchet has released.
- Completed crimp with settings according to scale on tool will fulfill SS-EN 61238-1.
- Length: 525 mm.



NEMIQTM NP 695

The smart choice

Scale

Compatible with cable lugs, splices and uninsulated DIN terminals.

Adjustment nob.
Stepless setting of crimping die depending on cable series and area of cable lug.

Standard scale for each series. KR/KS; KRF/KSF; KRT/KST; KR/DS; KRD/KSD; KRDIN/KSDIN; DIN 46234.

Release button for the built-in ratchet.

Fixed handle

Moving handle

KR / KS / DIN 46234					
Area	KRF / KSF	KRT / KST	KRD / KSD	KRDIN / KSDIN	DIN 46234
10 mm ²	3 mm	3 mm	N/A	3 mm	3 mm
16 mm ²	4 mm	4 mm	3 mm	4 mm	4 mm
25 mm ²	6 mm	6 mm	4 mm	6 mm	6 mm
35 mm ²	7 mm	8 mm	5 mm	8 mm	7 mm
50 mm ²	8 mm	9 mm	6 mm	9 mm	8 mm
70 mm ²	10 mm	11 mm	8 mm	10 mm	9 mm
95 mm ²	N/A	13 mm	10 mm	13 mm	N/A

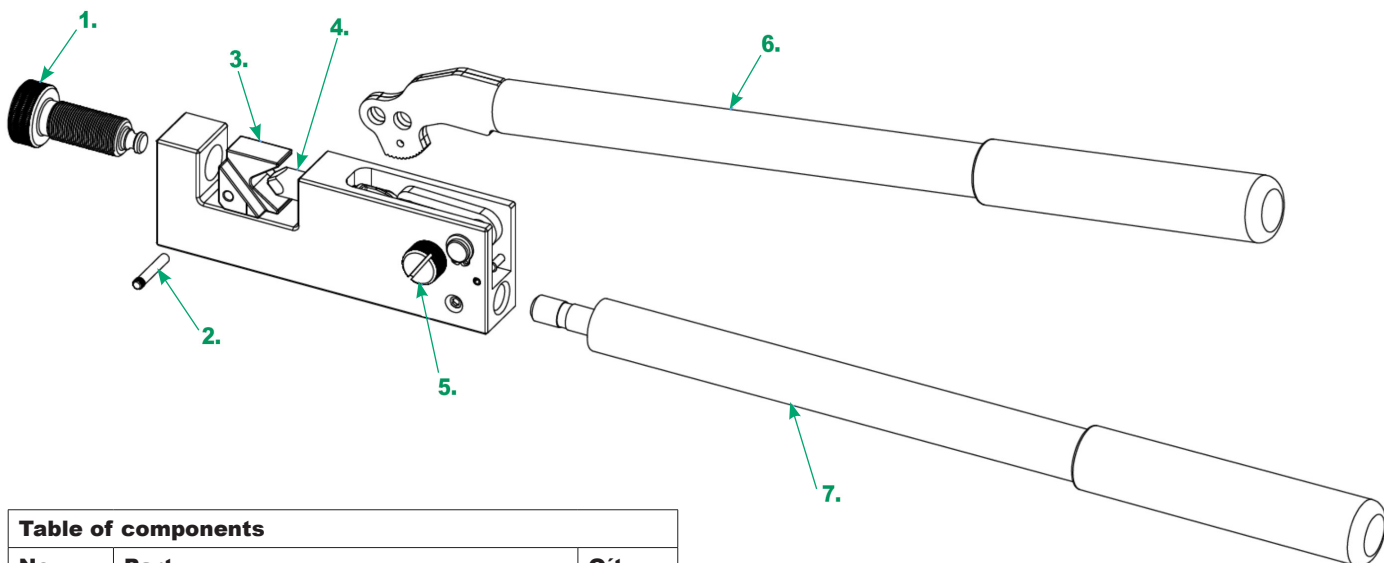
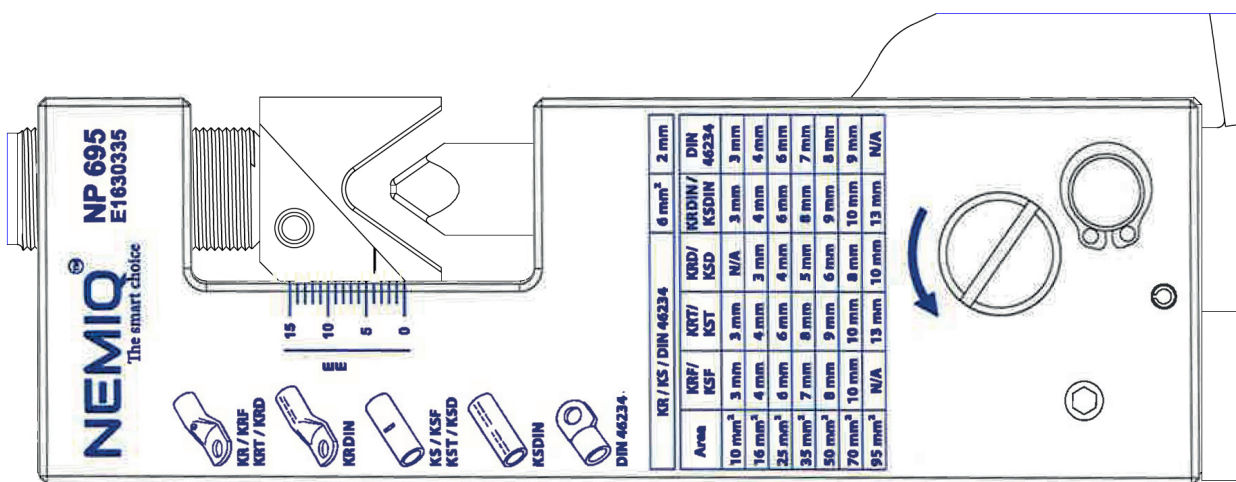
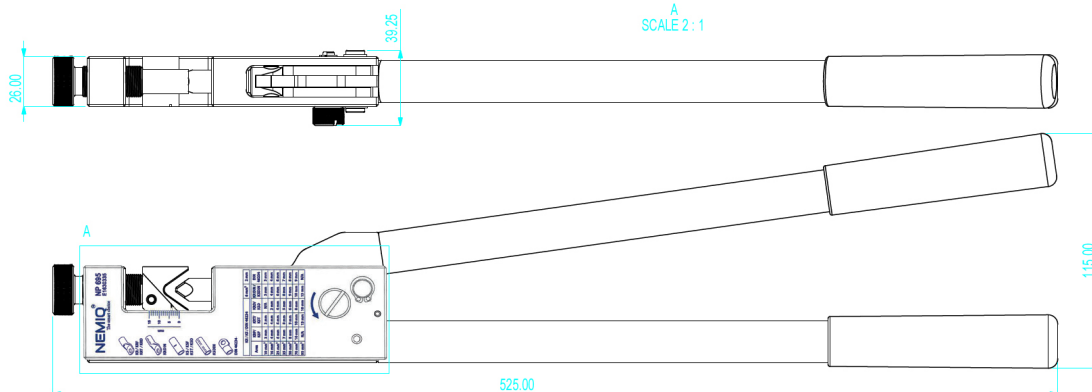


Table of components		
No.	Part	Q'ty
1	Screw	1
2	Pin	1
3	V shape block	1
4	Plunger	1
5	Release knob	1
6	Movable handle	1
7	Fixed handle	1



Area	KR / KS / KRF / KSF / KRT / KST / KRD / KSD	KR/DIN / KSDIN	DIN 46234
6 mm ²	3 mm	3 mm	2 mm
10 mm ²	4 mm	4 mm	3 mm
16 mm ²	5 mm	5 mm	4 mm
25 mm ²	6 mm	6 mm	5 mm
35 mm ²	7 mm	7 mm	6 mm
50 mm ²	8 mm	8 mm	7 mm
70 mm ²	9 mm	9 mm	8 mm
95 mm ²	10 mm	10 mm	9 mm
	13 mm	13 mm	12 mm
	15 mm	15 mm	N/A



A
SCALE 2:1