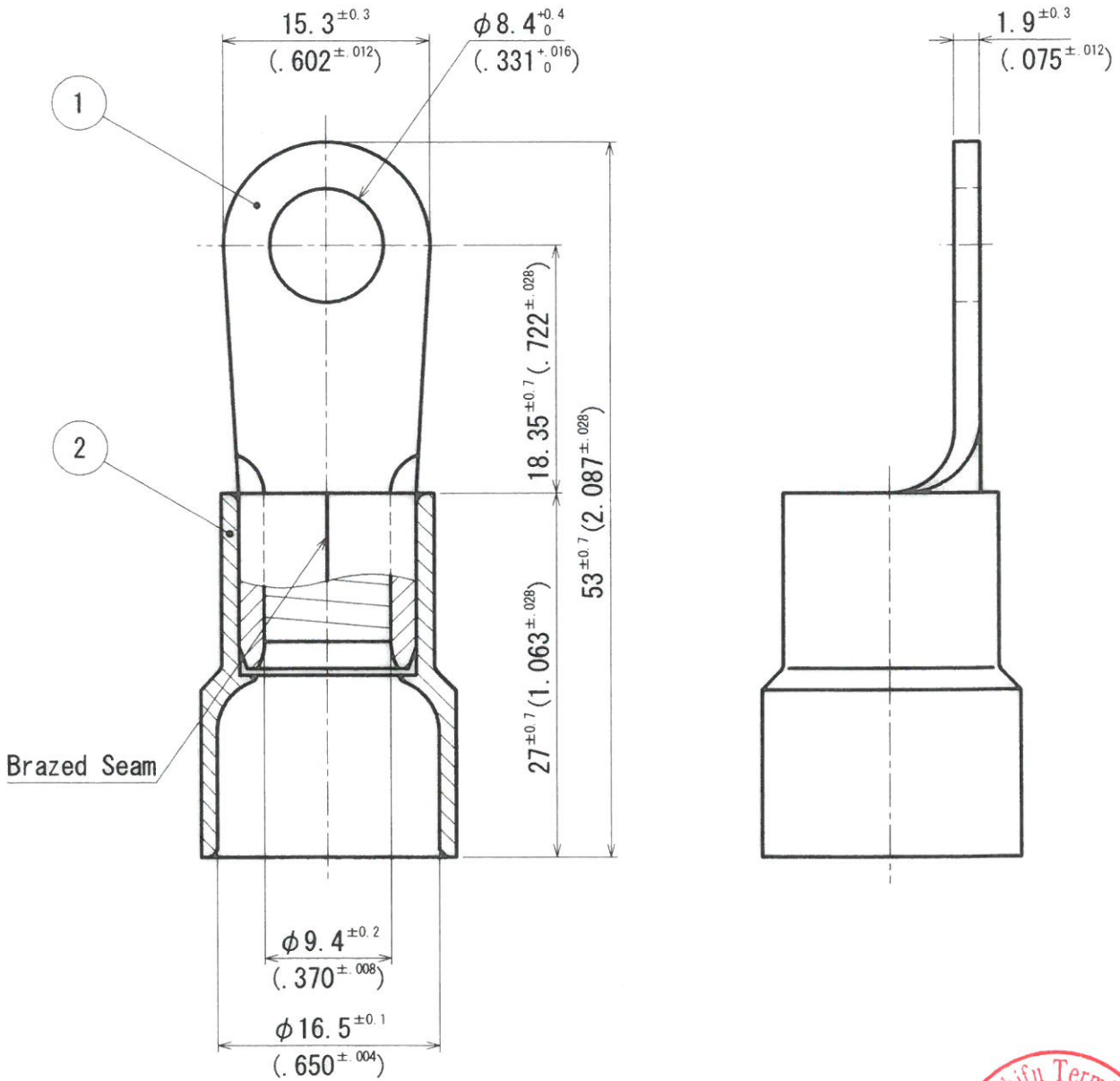


No.	Date	Revision Record	Drawn	Check
-----	------	-----------------	-------	-------



Note: Dimensions in mm
() dimensions in inchs.



2	Insulator	Nylon		1		
1	Terminal	Copper	t=1.9 (.075)	1	Tin Plated	2AWG 26.66-42.42mm ²
No.	Parts Name	Material	Thick	Q' ty	Treatment	Wire Size

Messrs.					Part Number	TMEN 38-8S
Scale	Approved	Checked	Design	Drawn	Title	Insulated Ring Terminal
2	<i>[Signature]</i>	<i>M. Nakazato</i>	<i>S. Teramoto</i>	<i>A. Kawaguchi</i>	Drawing No.	05-01227-00
1	K. Hamada	M. Nakazato	S. Teramoto	A. Kawaguchi	Revision No.	0
Date					January 15, 2021	