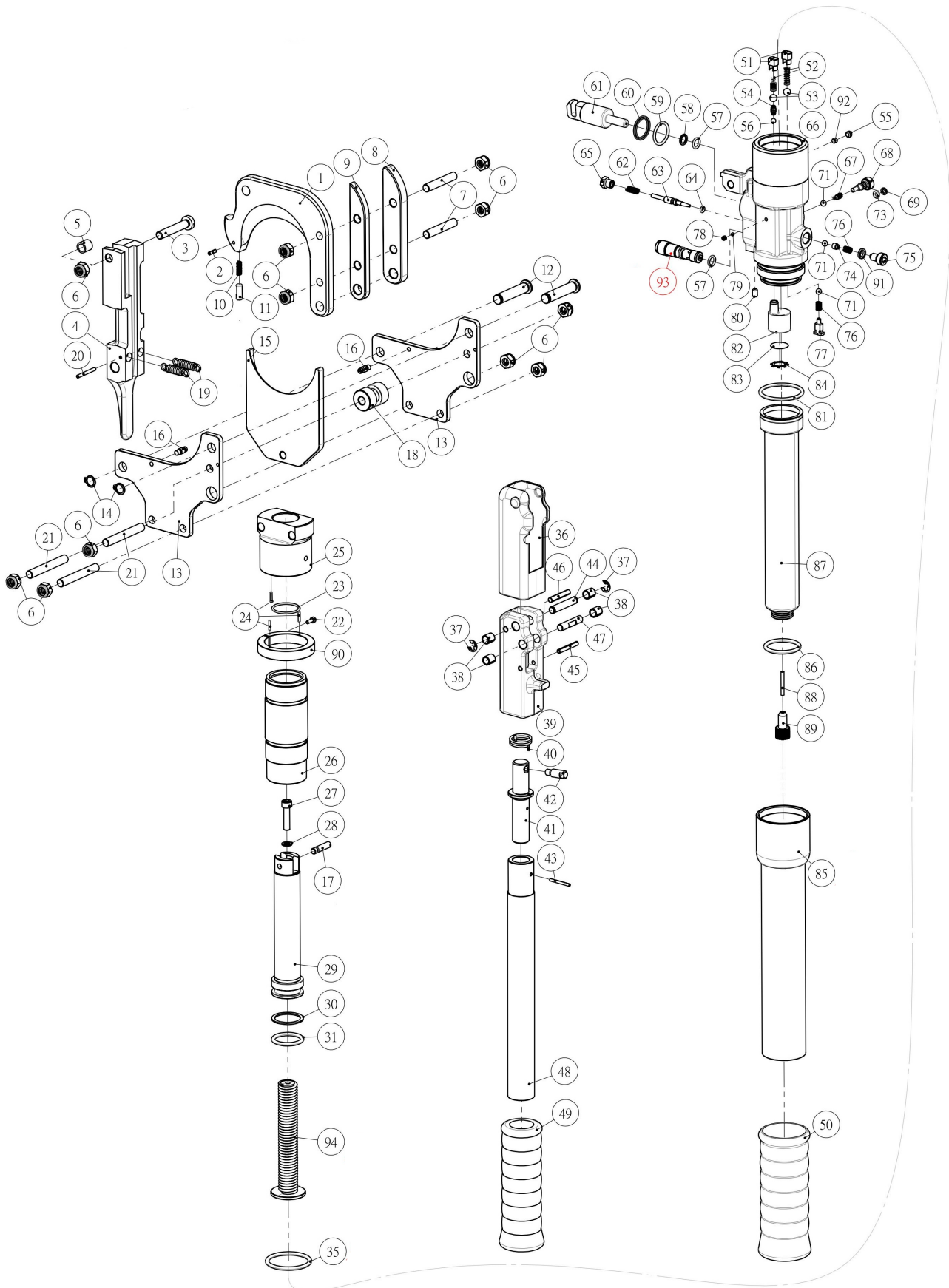


NHHT CC85: Parts Guide



No.	Parts	Q'ty	No.	Parts	Q'ty
1	FIXED BLADE	1	49	HANDLE GRIP	1
2	SPRING PIN	1	50	HANDLE GRIP	1
3	BOLT	1	51	VALVE SCREW	2
4	LATCH	1	52	COMPRESSION SPRING	2
5	BUSING	1	53	BALL	2
6	NUT	11	54	COMPRESSION SPRING	1
7	STUD BOLT	2	55	SCREW	1
8	BLADE GUIDE	1	56	BALL	1
9	BLADE GUIDE	1	57	O-RING	2
10	COMPRESSION SPRING	1	58	BACK-UP RING	1
11	ARRESTING PIN	1	59	O-RING	1
12	HINGE PIN	2	60	DUST SEAL	1
13	SUPPORT PLATE	2	61	PUMP PISTON	1
14	CRESCENT	2	62	COMPRESSION SPRING	1
15	MOVING BLADE	1	63	RELEASE VALVE STEM	1
16	ARRESTING PIN	2	64	O-RING	1
17	LOCATING SCREW	1	65	VALVE SCREW	1
18	ROLLER	1	66	CYLINDER	1
19	SPRING	2	67	COMPRESSION SPRING	1
20	SPRING PIN	1	68	VALVE SCREW	1
21	STUD BOLT	3	69	BACK-UP RING	1
22	SCREW	1	71	BALL	3
23	O-RING	1	73	O-RING	1
24	PIN	3	74	BALL SEAT	1
25	CYLINDER COVER	1	75	VALVE SCREW	1
26	CYLINDER	1	76	COMPRESSION SPRING	2
27	SCREW	1	77	VALVE SCREW	1
28	COPPER WASHER	1	78	SCREW	1
29	MAIN PISTON	1	79	BALL	1
30	BACK-UP RING	1	80	SCREW	1
31	O-RING	1	81	O-RING	1
35	O-RING	1	82	SOLID FILTER	1
36	INSULATION CAP	1	83	OIL SCREEN	1
37	CRESCENT	2	84	PUSH-IN FASTENER	1
38	BUSHING	4	85	HANDLE	1
39	CAP	1	86	O-RING	1
40	TORSIONAL SPRING	1	87	OIL RESERVOIR	1
41	GUIDE BOLT	1	88	MAGNETIC BAR	1
42	RELEASE PIN	1	89	FILLER CAP	1
43	SPRING PIN	1	90	STOP COLLAR	1
44	HINGE PIN	1	91	COPPER WASHER	1
45	SPRING PIN	1	92	COPPER PIN	1
46	CONICAL PIN	1	93	RELIEF VALVE SET	1
47	ARRESTING PIN	1	94	SPRING SET	1