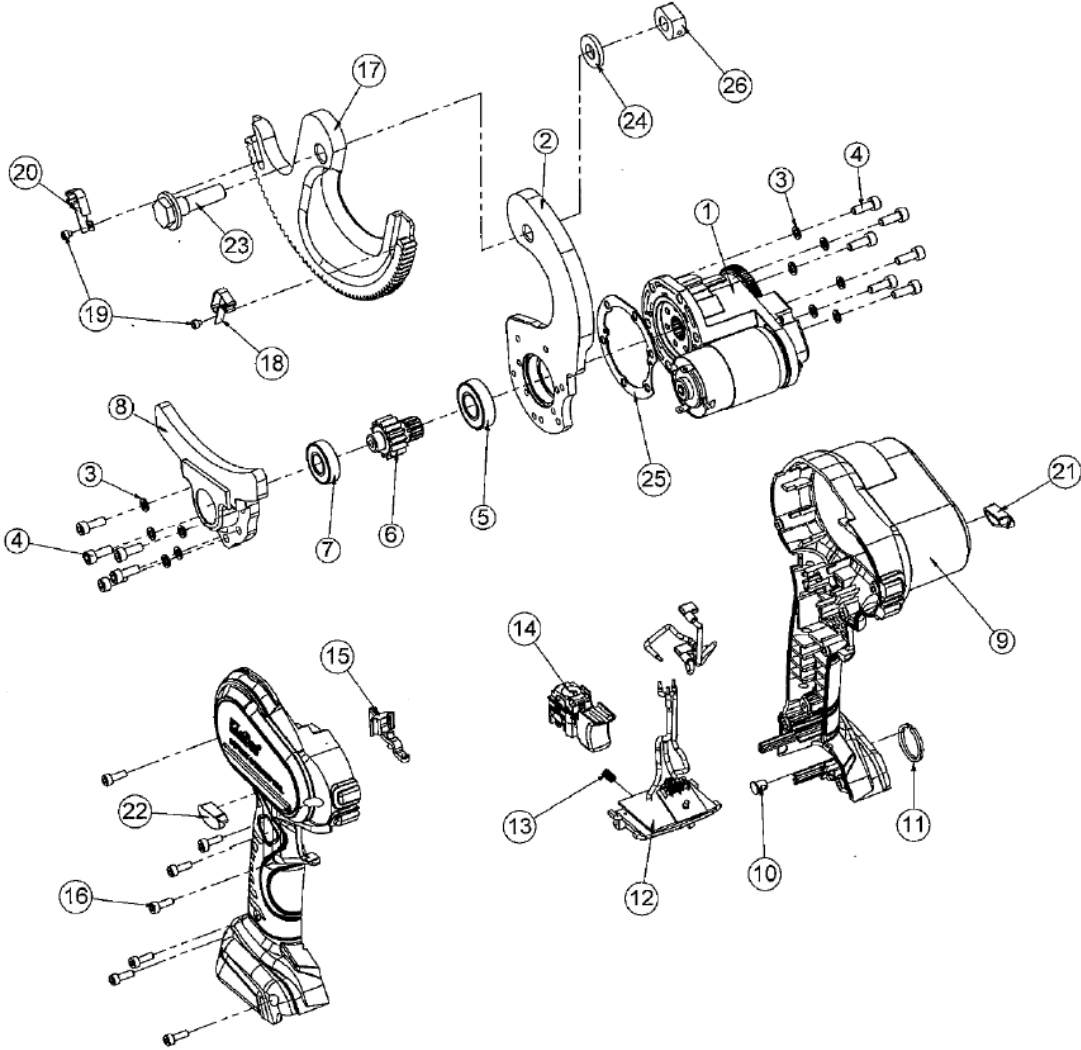


# NBCC 54SW



No	Parts	Q't
1	Gear box with motor	1
2	Fixed Blade	1
3	Spring	11
4	Screw	11
5	Bushing	1
6	Gear	1
7	Bushing	1
8	Gear Box	1
9	Housing	1
10	Pin	1
11	Chain	1
12	PCB	1
13	Compression Spring	1
14	Trigger	1
15	Switch	1
16	Screw	7
17	Moving Blade	1
18	Guide Piece	1
19	Screw	1
20	Guide Piece	1
21	Cover	1
22	Cover	1
23	Locating	1
24	Washer	1
25	Washer	1
26	Nut	1