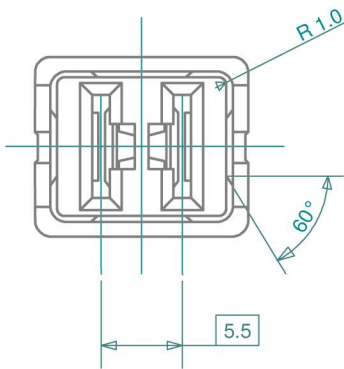
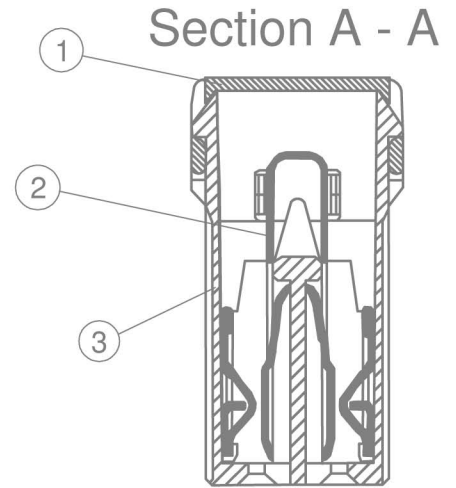
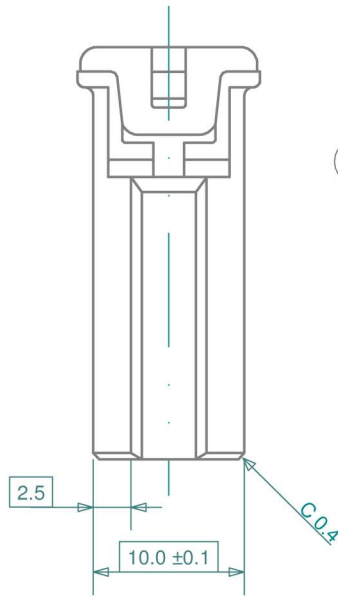
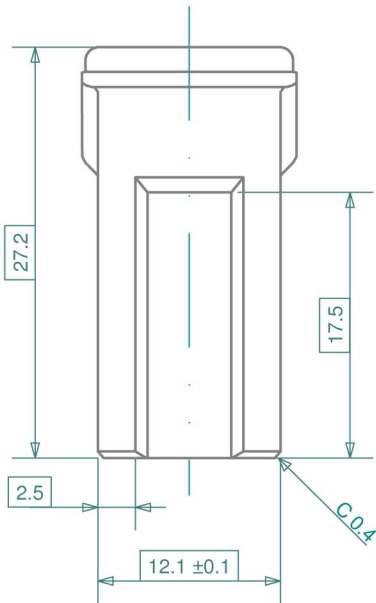


1	Top cover, PAR
2	Housing PPS
3	Element, copper alloy with tin plated integrated heat sink



Rating [A]	Volt [V]	Color
20	32	light blue
25	32	white
30	32	pink
40	32	green
50	32	red
60	32	yellow

Revisions			Date	Appr.
	Date	Type	Drawn	11/99
a	02/03	add 25A	Checked	05/17
b	08/07	re-drawn	Standards	
c	05/17	added rated voltage	Approved	05/17



Scale	2 : 1	Title	L - J series, japOTO SlowBlow fuse
Projection		Drawing type	schematic
Tolerance	± 0.2 mm unless otherwise noted	Drawing number	L - J drawing 1
		Sheet	1 of 1
		Layers / Sheet	0 1 2 4 6 7 8 9