

Outdoor Flood Light

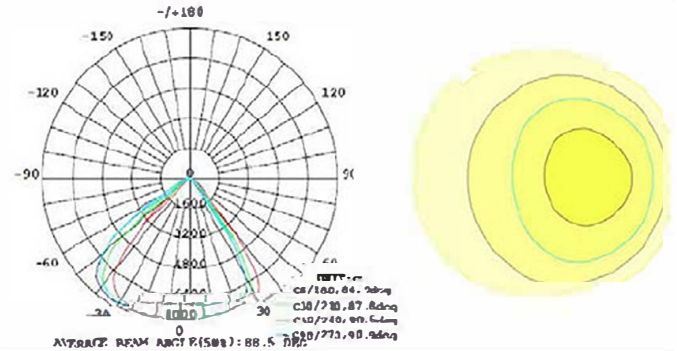
100W LED Flood Light Specification



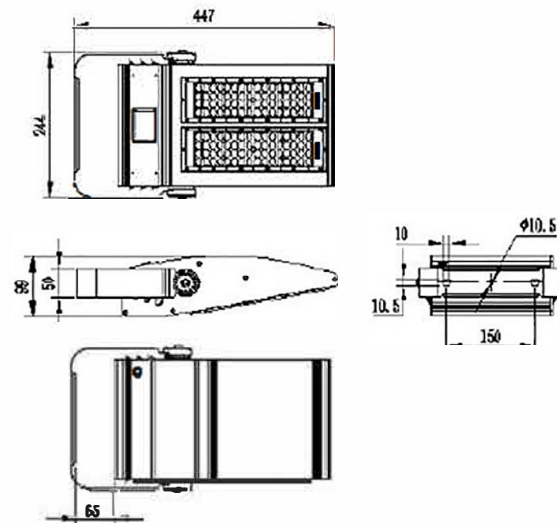
Parameters

Product Model	WOT 100W 120D 00 1
LED Chip Brand	Nichia
Light Efficiency	140lm/W
Luminous Flux	14000lm
Color Temperature	5000K(2700K/3000K/4000K/5700K optional)
Beam Angle	90°, (40°,60°,120°,160° optional)
Total Power Consumption	100W±5W
Output Current	2.0A (Constant Current)
Output Voltage	DC 42~48V
Net Weight	5.8kg±0.3kg
Light Dimensions	L447mm×W244mm×H99mm
Light Package Dimensions	L522mm×W322mm×H177mm

Light Distribution



Physical Dimensions



≥0.95	75 Ra	IP65	≥100000 Hrs	AC 100-277V	47-63Hz
Power Factor	CRI	IP Level	Lifespan	Input Voltage	Power Frequency

Others

Power Efficiency	Working Temperature (Environment)	Heat Sink Surface Temperature
≥92%	40°C ~ +45°C	53°C (Room Temperature 30°C)
Fixture Efficiency	Working Humidity (Environment)	Luminaire Base Temperature
≥90%	15% ~ 90%RH	63°C (Room Temperature 30°C)
Total Harmonic Distortion	Storing Condition	LED Power Consumption
≤15%	40°C ~ +65°C	92W±5W

Suitable for Parking lot, Mansion outdoor scene, Gas station, Stadium and Other Lighting Purposes