

# LED-Signal light SAL

**Comax**  
Signaltechnik

## General information

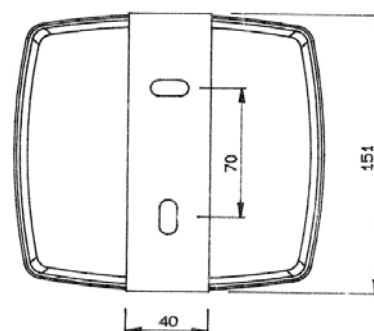
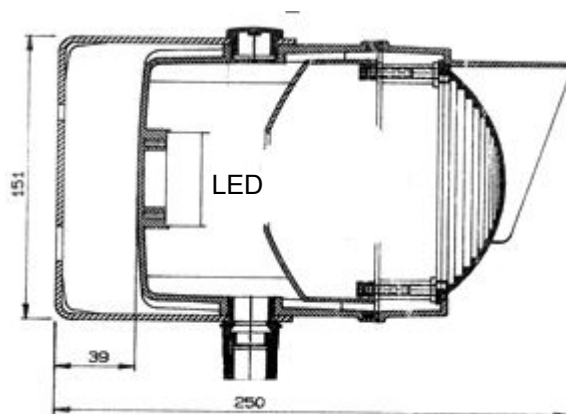
Powerful LED-signal light, flexible installation on movable steel bracket, powder coated, can be combined as double or triple signal light with red, yellow or green lens.

Two redundant switching circuits.  
Operating time at least 50'000 hours.



## Technical data

Case	ABS
-colour	grey
Lens	Ø 120mm
-colour	red, yellow, green
Light intensity	Approx. 800-880lm (230VAC) Approx. 720-880lm (24VAC/DC)
LED colour	white
Temperature range	-30°C – +70°C
Operation	continuous
Installation	with bracket of steel
Cable entry	M20
Degree of protection	IP65 according to EN6529
Class of protection	II
Wight	1,0kg



## Order data

Item number	Colour of lens	Tension	Current
SAL.024.31	red	24VDC (+/-10%) / 20-30VAC	275mA (DC) 410mA (AC)
SAL.024.33	yellow	24VDC (+/-10%) / 20-30VAC	275mA (DC) 410mA (AC)
SAL.024.34	green	24VDC (+/-10%) / 20-30VAC	275mA (DC) 410mA (AC)
SAL.230.11	red	230VAC (+/- 10%)	44 - 48mA
SAL.230.13	yellow	230VAC (+/- 10%)	44 - 48mA
SAL.230.14	green	230VAC (+/- 10%)	44 - 48mA

## Accessories

V-SA.000.00 Connecting piece (for double and triple signal lamp)  
Subject to changes without prior notice



**Comax**  
Signaltechnik

Comax Industrielle Signaltechnik AG, Thalstrasse 279, CH-4712 Laupersdorf/Schweiz  
Tel +41 32 617 31 41 E- mail@comax.ch Internet www.comax.ch